



Verg 24V

24V ELECTROMECHANICAL BARRIER FOR BEAMS UP TO 5 M.



- Safe and fast low voltage automatic barrier.
- Slow down speed adjustable in opening and closing
- Low voltage motor for maximum safety.
- Reversing on obstacles with adjustable sensitivity.
- It is possible to add emergency batteries to guarantee the operating also in case of power failure without an additional control unit (24 V version).
Optional solar panel KIT SUNNY
- Control unit USER 1 24V DG.
- Mechanical limit switches.
- Cathaphoresis treated and polyester painted steel box for longer life .
INOX steel box available.
- New oval beam with double protection rubber and optional LED light (optional) CLED 12715215 + TLED tube 12715216.
- Casing pre-drilled for photocells SUNSET and key switch ASTER.
- Available with articulated beam of max 3m. (LIGHT ART3)



Internal view



Easy release system with key in case of power failure.



Led lights. Flashing light. Opening with key.

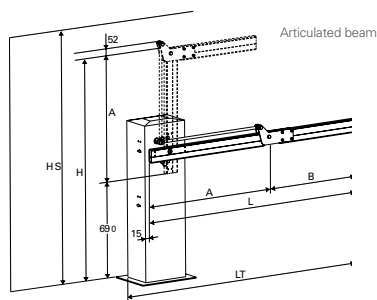
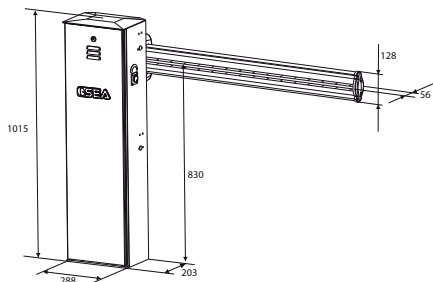


Case opening.

CODE	NAME	OPENING TIME	MAX BEAM LENGTH (m)	FREQUENCY OF USE (%)	PCS FOR PALLET
11320006	VERG 24V	regolabile	5,0	60	8

VERG 24V with USER1 24V DG control unit programmable with display

NOTE: On request stainless steel casing (1.100 Euros price increase)



PACKAGE

VERG

- N.1 Operator VERG 24V
- N.1 Control unit USER 1 24V
- N.1 Installation accessories kit
- N.1 Installation instruction and general notice
- N.1 Foundation plate
- N.1 Warning board



ASSEMBLED BEAMS



11903050

KIT LIGHT 3 3m beam + balancing spring + double blunt-free rubber (Tape not included)



11909055

KIT LIGHT 4 4m beam + balancing spring + double blunt-free rubber (tape not included)



11909060

KIT LIGHT 5 5m beam + balancing spring + double blunt-free rubber (tape not included)

TO ASSEMBLE BEAMS



11903090

LIGHT 3 3m oval beam + balancing spring without blunt-free rubber



11903095

LIGHT 4 4.3m oval beam + balancing spring without blunt-free rubber



11909098

LIGHT 5 5m oval beam + balancing spring without blunt-free rubber



12710825

Blunt-free rubber 6 (Pack of 6m) with accessories (obligatory accessory)



12710830

Blunt-free rubber 8 (Pack of 8 m) with accessories (obligatory accessory)



12710835

Blunt-free rubber 10 (Pack of 10m) with accessories (obligatory accessory)

ACCESSORIES



12715216()**

TLED Tube link LED light (1 meter) (price per meter)



12715215

CLED kit - power supply cable for TLED light (L= 1m)



11902035(*)**

LIGHT-ART 3 Articulated oval beam up to max 3,0 m (beam and spring)



12715220(*)

STICKER Red Sticker for beam (pack of 50 m)



12710087

SUPL Pliable support for oval LIGHT beam



1620045

CSUPLIGHT Counter plate for fork support



16200100

SUPLIGHTP Fork support



23101105

ESUN Solar panels control unit and battery - charger for USER 2 - 24V



23106370

Kit SUNNY 20W solar panel + control unit +battery



23106325

BAT Kit Battery with box for VERG



12710795

LIGHT beam release

N.B:For blunt-free rubber 40 m minimum purchasing quantity

*Same length of the beam needed

**To be ordered in combination with CLED 12715215

*** CLED and TLED can be used only for the first part of the beam just up to the articulation

Note: For 4/5m beams it is recommended to install 16200100 or 12710087

NB: LIGHT-ART on request cut up to 3m following the drawing

NOTE: Respect the opening times in relation to the length of the beam (see instruction manual)

KIT SUPER SUNNY for more power