

Doors RSD01

Dimensions of doors: width - up to 3,000 mm, height - up to 2,700 mm.

DoorHan garage sectional doors RSD01 are made of sandwich panels, due to this they possess thermal-insulating and sound-proofing properties. Owing to the fact that the doors roll in guides to the ceiling, there is a considerable space saving inside and outside of the garage, which simplifies the car maneuvering. The dedicated design of the garage sectional doors allows installing them in a room with any doorway configuration - rectangular, arch, asymmetrical and with bevelled edges.

The garage sectional doors RSD01 are meant for installation in small doorways and have a simplified design. They differ by easy and fast assembly (within 2 hours), and also by minimum requirements to doorway parameters - lintel (distance from doorway top to ceiling) is to be minimum 100 mm. The doors RSD01 have a unique doors' leaf balancing system with the «spring in spring» mechanism - a modern technical solution, offered by DoorHan.



Doors RSD01 «Eco fast»

Dimensions of doors: width - up to 3,000 mm, height - up to 2,700 mm.

The doors «Eco fast» is an ideal solution for those, who wish to minimize their expenses and to get a top quality product, which specifications are equal to much more expensive variants.

Versions of doors «Eco fast» and for the DIY market



«Wave»



Surface «stucco»



RAL 9003 white RAL 8014 brown

Doors RSD01 for the DIY

Dimensions of doors: width - up to 3,000 mm, height - up to 2,585 mm.



The garage doors for the DIY market are a compromise solution, combining high quality and optimum price. They are designed for do-it-yourself installation, due to this fact you are saving money not on the doors quality, but on their assembly, as they possess all properties of the customized doors. The doors for the DIY market have 10 standard sets.

COMPANY MANUFACTURING AND STORAGE NETWORK



DOORHAN

- ✓ Door systems
- ✓ Roller shutter systems
- ✓ Transfer systems
- ✓ Entrance door systems
- ✓ Aluminium systems
- ✓ Automation systems
- ✓ Pre-fabricated modular systems

For additional information, please contact our representatives.

www.doorhan.ru



DOORHAN GARAGE SECTIONAL DOORS RSD01



ALL DOOR ELEMENTS ARE DEVELOPED TAKING INTO ACCOUNT DIFFERENT CLIMATIC OPERATION CONDITIONS AND MEET THE HIGHEST QUALITY STANDARDS.

- ✓ GARAGE SECTIONAL DOORS
- ✓ THERMAL AND SOUND INSULATION
- ✓ AUTOMATIC DEVICES FOR DOORS
- ✓ DESIGN PERFORMANCE VARIETY



The use of sandwich panels in the structure of doors and a multichamber system of weather strips provides not only reliable sealing of the garage, but also energy-saving.

ENERGOFLEX

- a modern weather strip made of wear-resistant material, which does not absorb moisture.

ABSENCE OF «COLD BRIDGE»

- the front and back steel sheets are not canted (not connected) with each other, due to this thermal insulation increases and a possibility of freezing decreases.

REINFORCING PLATE FOR HINGES

- steel plates provide the increased strength of joints and increase rigidity and burglary resistance of the door design.

STEEL SHEET 0.45 mm

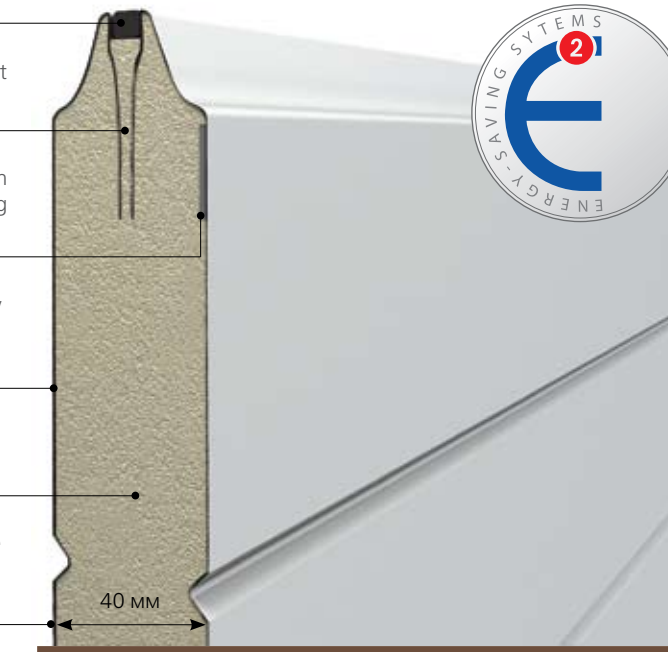
- owing to the polymer coating, the sectional doors keep their front for a longer time and do not need time-consuming care.

FOAMED POLYURETHANE

- a modern top quality weather strip, its use rises the panel wear resistance and reduces heat losses, making the doors as energy-saving ones.

PANEL THICKNESS 40 MM

- the door leaf is made according to all international standards and conforms to the highest class of thermal conductivity (Class A).



Design performance variants of doors RSD01



At your desire it is possible to paint panels into any colour as per the international RAL card. During printout the colours can be distorted, please use the original RAL card.

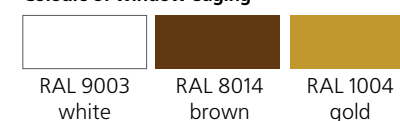
Windows

DoorHan sectional doors can be furnished with windows of any kind, the break-resistant glass is used for their glazing. They will become an original design solution for doors with any leaf type.



Dimensions of windows – 452x302 mm

Colours of window edging



Window diameter – 360 mm

Colours of window edging

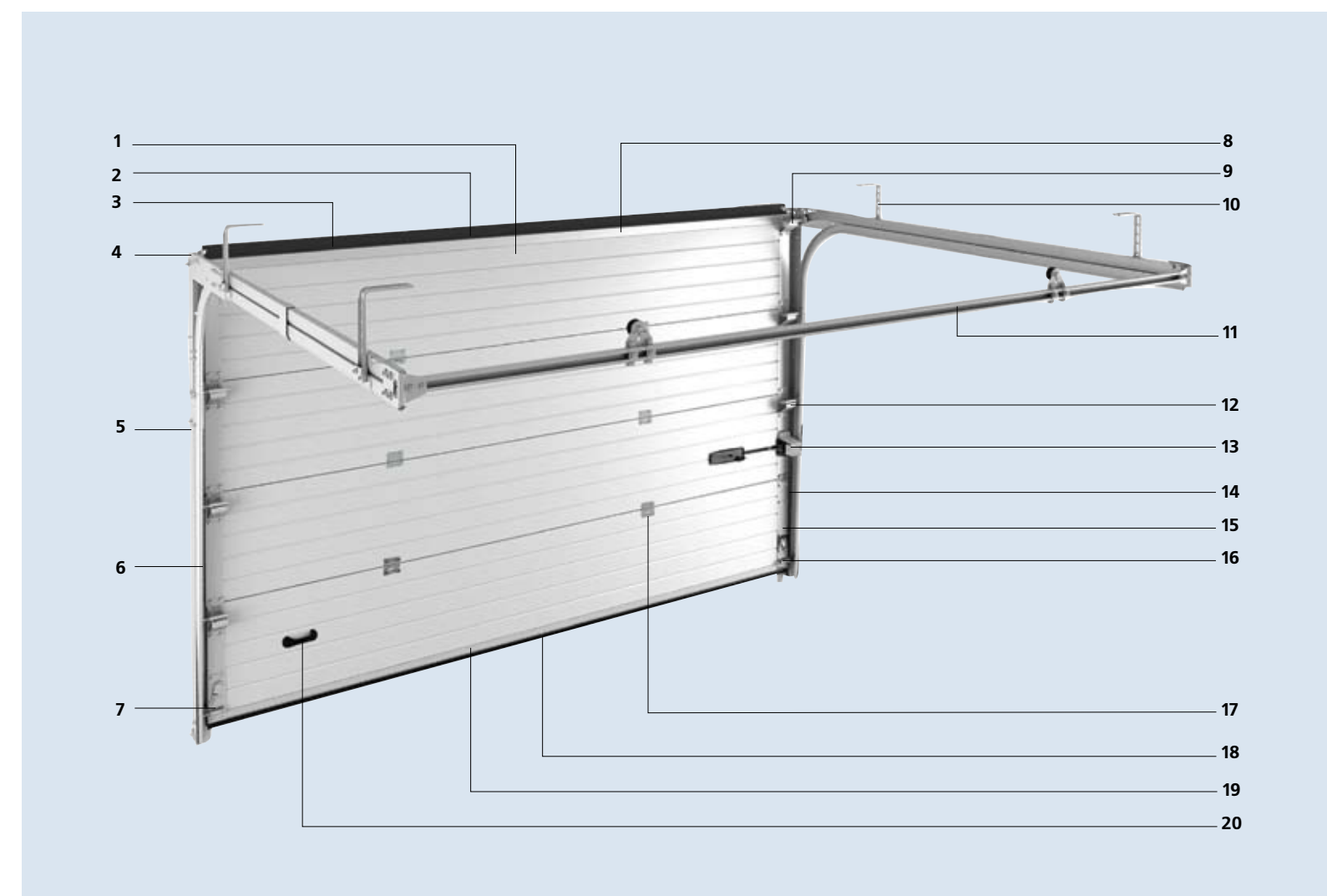


Handles

All DoorHan sectional doors are equipped with special handles, which allow manual opening of the doors. They are a fine decorative addition to the design performance of the doors. The ergonomic handle shape eases the doors opening process.



Structure of sectional doors RSD01



1. Door leaf
2. Girder
3. Upper weather strip
4. Upper pulley bracket
5. Guide for leaf
6. Angle posts
7. Lower bracket
8. Upper aluminium bracket
9. Upper bracket
10. Ceiling mounting system
11. C-profile

12. Side supports
13. Lock
14. Balancing spring mechanism
15. Side cover
16. Tensioner
17. Hinges
18. Lower weather strip
19. Lower aluminium profile
20. Ручка

"Spring in spring" system

The use of the "spring in spring" system in the balancing spring mechanism provides the maximum door operation safety, when one spring breaks, the other one holds the doors, preventing their fall.

Spring fixation system

The unique system for fast fixation of the spring mechanism allows reliable fixing of the springs very quickly, due to the double gear system. This system permits to balance the door leaf quickly and very accurately too, owing to the ease and smooth spring tension adjustment.

Double cable

The use of two cables from each lateral door side protects the leaf against falling if one of these cables breaks.

Latch lock

The latch lock is one of the most reliable devices for fixing doors in a closed position. The latch lock is a significant obstruction during a prying attack.

Specifications of doors RSD01

Specifications	
Reduced total thermal resistance	1.13 m ² · 0C/W
Sound insulation	24 dB
Wind load	5 class (200 km/hour)
Airtightness	2 class (air pressure 50 Pa)
Watertightness	1 class (water pressure 30 Pa)
Lifting force up	to 22.5 kg
Flammability group	Г2 as per GOST 30244-94
Ignitability group	B2 as per GOST 30402-96
Door leaf weight	11,2 kg/m ²

DoorHan automatic devices for garage sectional doors

Drive of Sectional series



The drive of Sectional series is developed by DoorHan for automation of domestic sectional doors with an average intensity of work. The drive is easily assembled together with its guide and fixed to the ceiling. The drive housing is made in the modern stylish design, providing the harmonious combination with any garage interior. For lighting the drive has a built-in lamp, switching on automatically at the opening of the doors for a car that drives in.

Panels



The DoorHan remote control panel is designed for controlling DoorHan automatic equipment or any other device, to which DoorHan radio receiver is connected. One can control from one to four devices by one panel.

Photoelectric detectors PHOTOCELL



The DoorHan photoelectric detectors are designed for preventing emergency situations, when foreign elements get into an area of doors operation.

The working radius of the photoelectric detectors can reach 25 m. The photoelectric detectors PHOTOCELL consist of infrared transmitter and receiver, installed into the garage doorway.

Radio receiver DHRE-2



The external radio receiver DHRE-2 is designed for controlling automatic equipment of other manufacturers by means of a DoorHan panel. The connection to any drive, having normally open control contacts, is possible. The operation of such radio receiver is performed at the frequency of 433 MHz. The receiver DHRE-2 is a dual channel one and it allows you to control one or two drives.

Release



If there is no additional entrance in your garage, then in the absence of the electric power the release, which allows you to enable the drive and to manually open the doors, will help you.