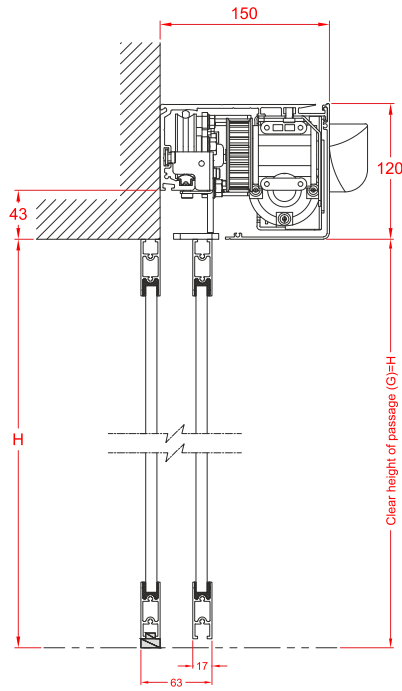
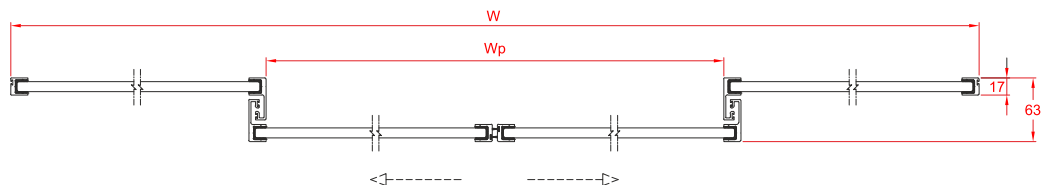


X4



Compliant with:	Holux X4
German standard DIN 18650	✓
EU standard EN 16005	✓
EU standard EN 60335	✓
EU standard EN ISO 13849	✓
manufactured according to DIN ISO 9001	✓
EU low-voltage directives	✓
EU EMC directives	✓
CE conformity	✓
tested for 1.000.000 Cycles	✓
Frame Types	
THB	✓
TBS	✓
UTS	✓
Saturn	✓
Frameless	✓



TECHNICAL DATA

00.00.1011.2015

	Holux X4
opening width - single panel	800 - 2000mm
opening width - double panel	1000 - 3000mm
max leaf weight (single)	200kg
max leaf weight (double)	2 x 150kg
operator height	120mm
operator depth	144mm
opening speed	100 - 550mm/s
closing speed	100 - 500mm/s
hold-open time	0 - 30s adjustable
protection class	IP20
ambient temperature	-15 to + 50°C
input power	230V AC \pm 10%, 50/60 Hz
input power US-version	115V AC \pm 10%, 50/60 Hz
max power consumption	250W
german-made control unit	✓
german-made motor	✓
gear motor power	100W
track profile	detachable aluminum
anti-noise rubber profile	✓
rechargeable backup battery	optional
max operation cycles with 2.2 Ah backup battery	400
possibility to use safety sensors with testing signal for closing direction	✓
possibility to adjust force limitation according to DIN 18650 & EN 16005	✓
mechanical key switch	✓
digital programme switch	optional
electromechanical lock	optional
lock monitoring	✓
power lock	✓
24V DC output for external accessories	✓
read-out error memory with error codes (with digital programme switch)	✓